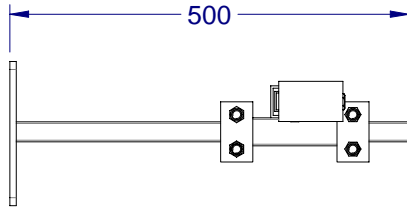


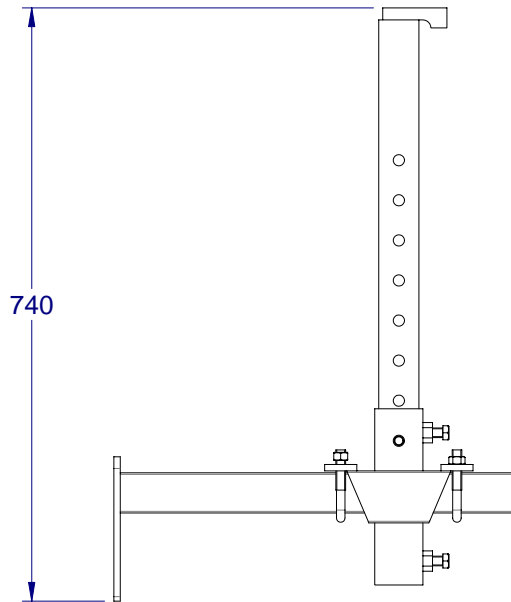
ITEM	DWG	TITLE	QTY	MASS
1	EAR-102	RISER CLAMP	1	1.7 kg
2	EAR-103	RISER	1	2.1 kg
3	N/A	M12x40 SET SCREW	2	0.1 kg
4	N/A	LYNCH PIN	1	0.0 kg
5	N/A	M12 NUT	4	0.1 kg
6	SRS-202	EXTENSION ARM	1	2.1 kg
7	SRS-203	RISER U-BOLT	2	0.3 kg

MASS: 6.4 kg

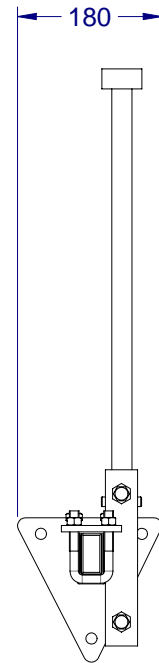
REV	DESCRIPTION / CHANGES	BY	APP'D	DATE



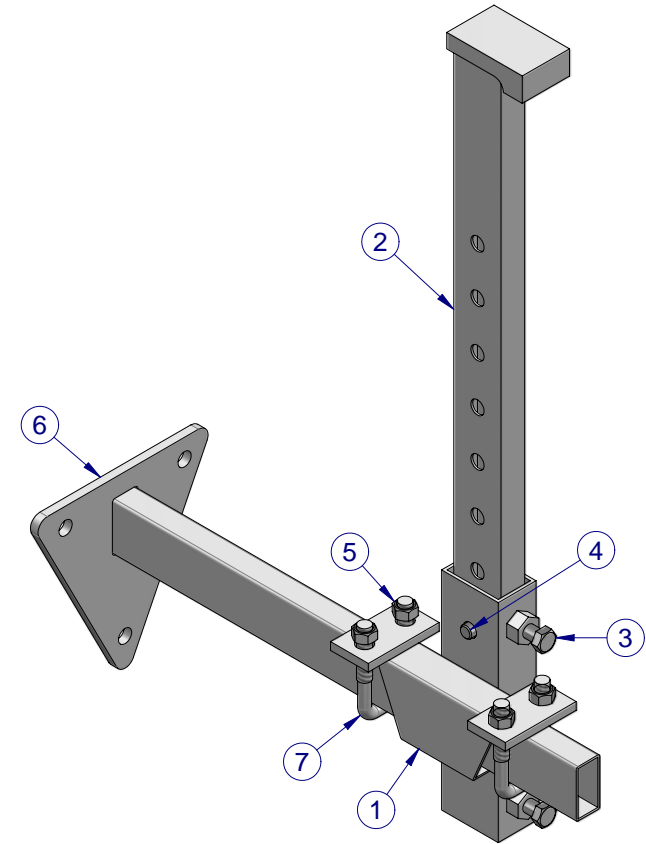
TOP VIEW



FRONT VIEW



SIDE VIEW



ISOMETRIC VIEW

GENERAL WELDING NOTES:
 1- ALL WELDS ON OUTSIDE SURFACES ONLY
 2- MAINTAIN ALL HOLLOW SECTIONS
 3- THICK LINES ON ISO VIEWS SHOW VISIBLE WELD LOCATIONS ONLY

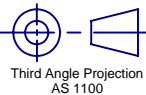


130 Gilba Road
 Girraween NSW 2145
 Ph. (02) 9896-5250
 Fax (02) 9495-7910

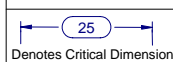


COPYRIGHT 2007 TOPCAT / CSR
 WARNING: Copyright in this drawing remains the property of TOPCAT / CSR and copying in whole or part is not permitted without the written authority of the copyright owner

TOLERANCES
 (Unless otherwise noted)
 Whole: ± 0.25 mm
 Decimal: ± 0.1 mm
 Angular: ± 0.25 deg.



MATERIAL NOTES:
 ALL STEEL TO COMPLY WITH AS1163 GRADES C350L0 & C450L0



Denotes Critical Dimension

ALL FINISHES HOT-DIP GALVANIZED FINISH UNLESS OTHERWISE SPECIFIED - PROVIDE DRAINAGE HOLES WHERE NECESSARY IF NOT ALREADY DRAWN

All Dimensions Are In Millimetres
 Break All Sharp Corners and Remove Burrs & Swarf

DATE: 12/04/2007

DRN: CJM

APPROVED:

TITLE: EXTENSION ARM & ADJUSTABLE RISER
EXTENSION ARM & ADJUSTABLE RISER ASSM.

MATERIAL:
SEE DRAWINGS

FINISH:
SEE DRAWINGS

DWG No:
EAR-001

A3

REV No:
1

SCALE: D.N.S

SHEET 1 of 1